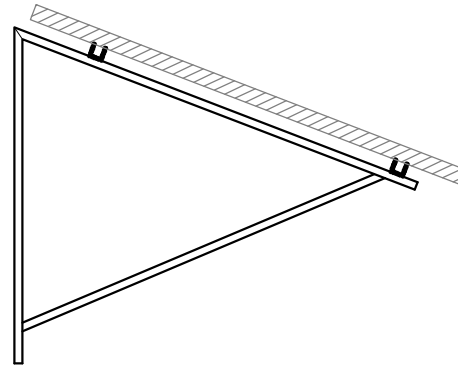
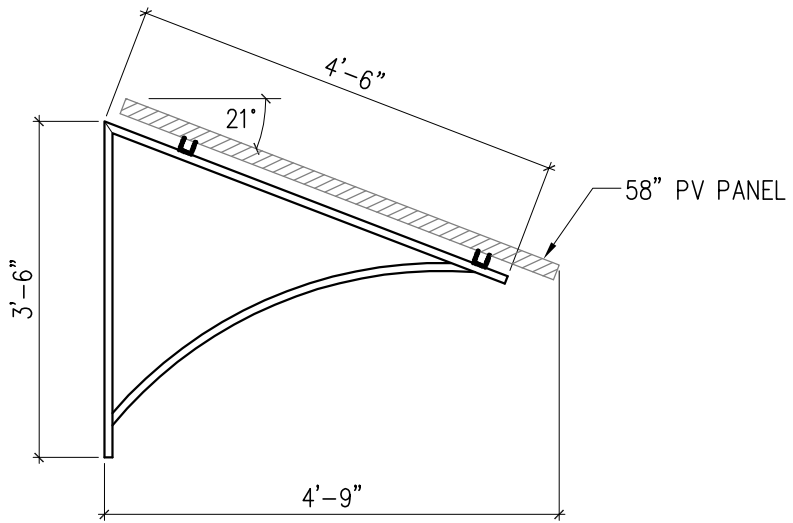
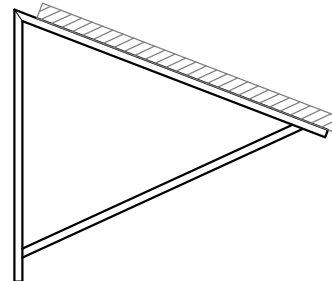
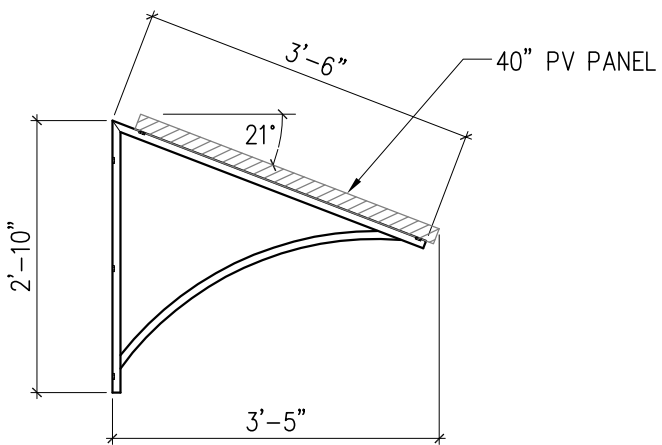


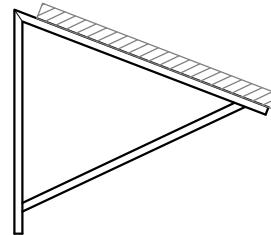
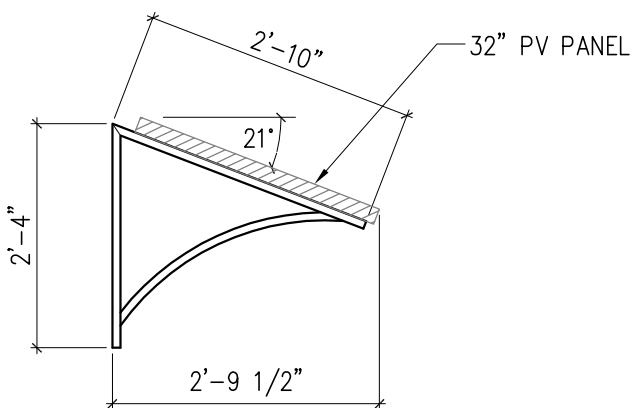
STANDARD AWNING BRACKET SIZES



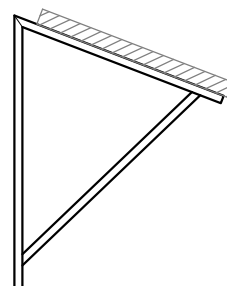
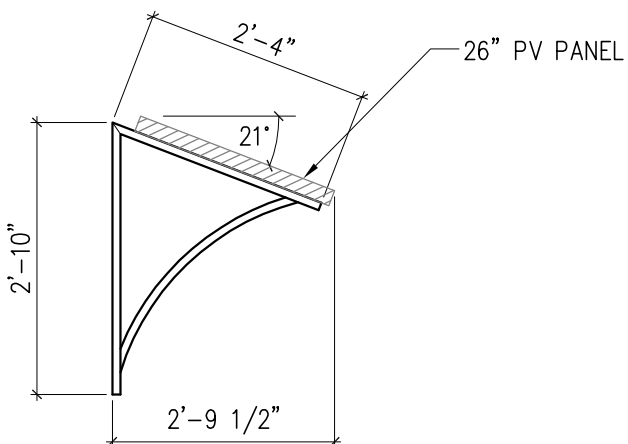
230-250 WATT SOLAR PANEL IN PORTRAIT ORIENTATION WITH PRO SOLAR RAILS BELOW, RUNNING PERPENDICULAR



230-250 WATT SOLAR PANEL IN LANDSCAPE ORIENTATION, BOTTOM MOUNTED TO BRACKET



180-200 WATT SOLAR PANEL IN LANDSCAPE ORIENTATION, BOTTOM MOUNTED TO BRACKET



120-140 WATT SOLAR PANEL IN LANDSCAPE ORIENTATION, BOTTOM MOUNTED TO BRACKET

AWNING BRACKET WITH CURVED SUPPORT

AWNING BRACKET WITH STRAIGHT SUPPORT

CUSTOM SIZES AND TILT ANGLES AVAILABLE (ALLOW 4 WEEKS FABRICATION TIME)